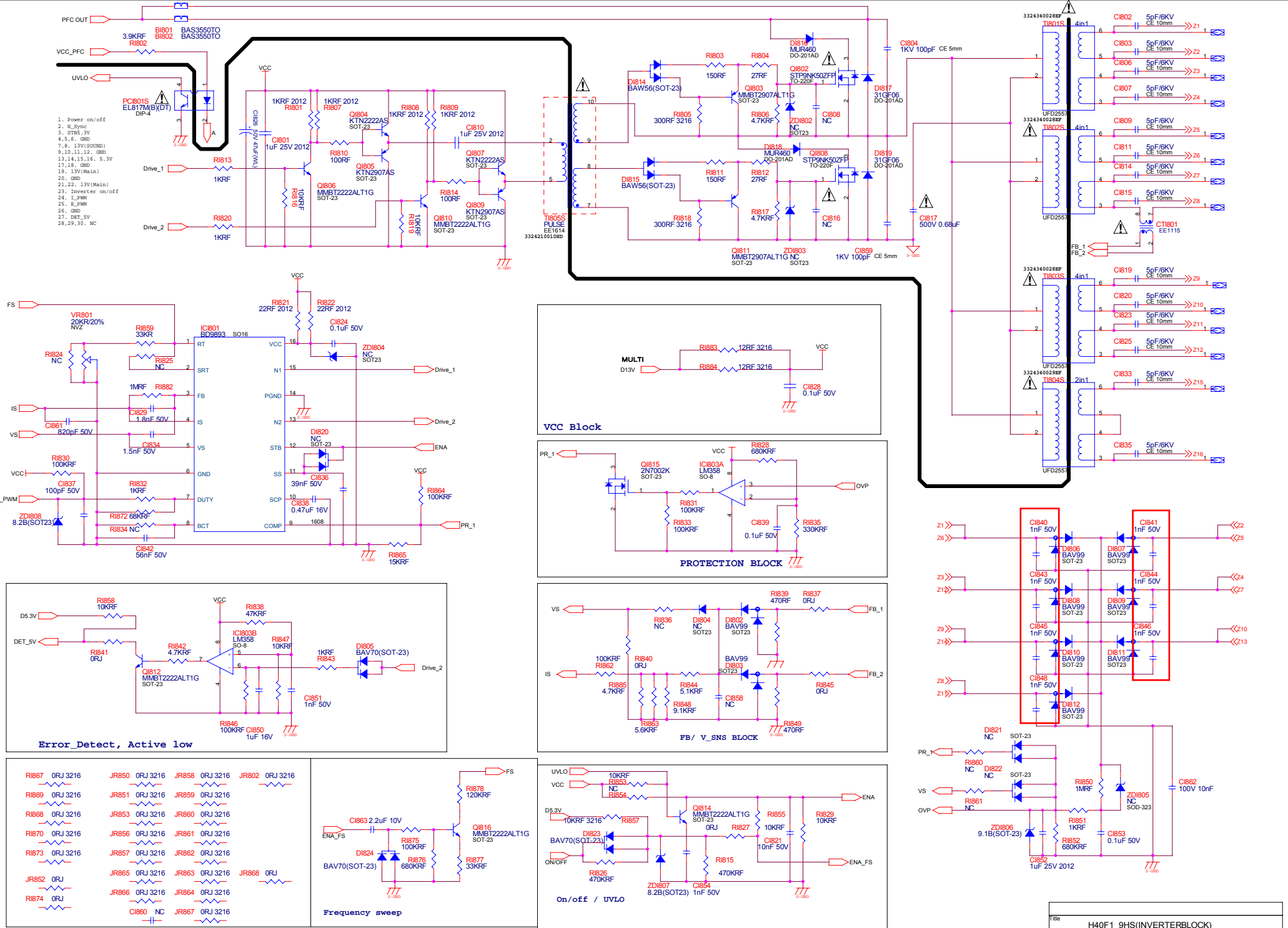


•• NC : No Connection  
 •• No marking resistor 1608 1% SMD  
 •• No marking capacitor 1608 2% SMD

Title		H40F1_9HS(POWER Block)	
Size	Document Number	BNM4-00294C R.C	
Date:	Thursday, April 16, 2009	Sheet	1 of 1
Rev	1.4		



Title			H40F1_9HS(INVERTERBLOCK)		
Size	Document Number				Rev
Custom	BN44-00264CRC				1.4
Date:	Thursday, April 16, 2009	Sheet	1	of	1