

31072-MP

ARDUINO SOUND SENSOR MODULE

Arduino Analog/Digital Sound Sensor

Arduino powered board with adjustable audio trigger sensitivity level using the LM393 IC.
LEDs for Power & Detection.

Power: 3.5-5.5VDC

Outputs: Analog: low level audio

Digital Low for detected sound above setting.

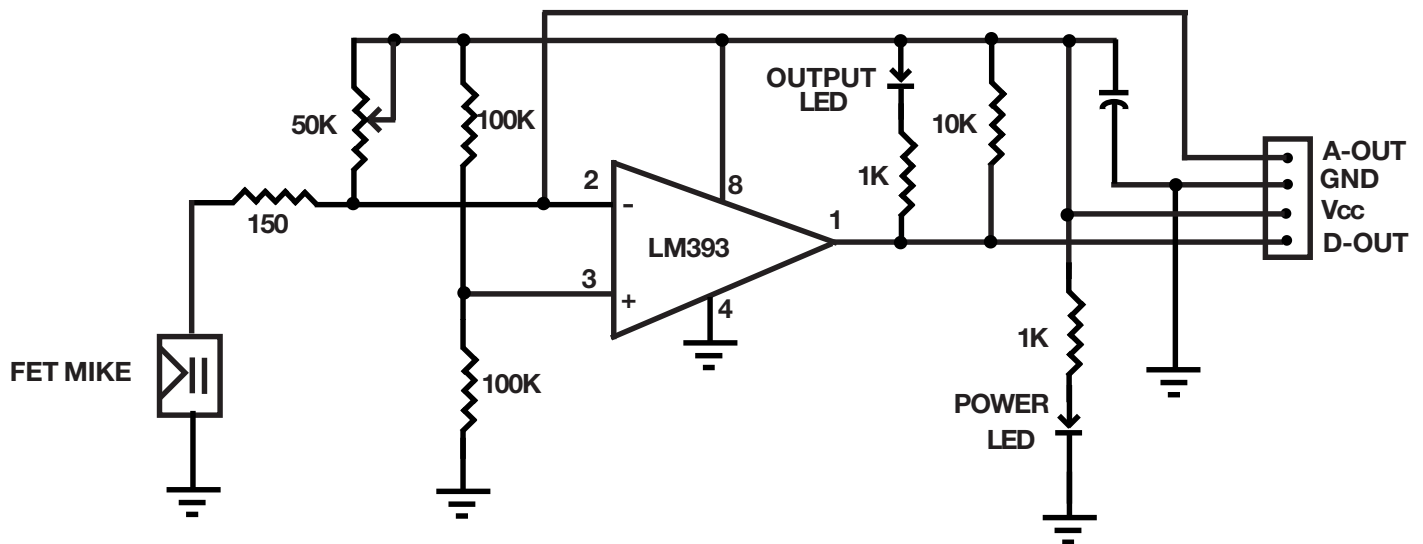
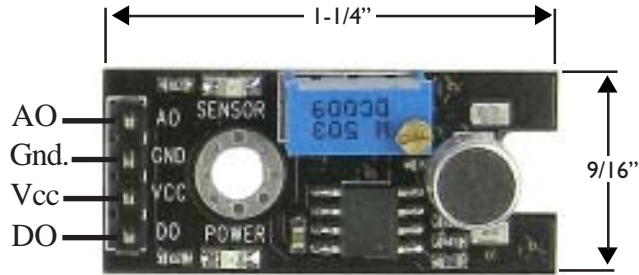
4 Pin I/O header.

L: 1-1/4"

W: 9/16"

H: 1/2" WT: .02

AO Analog Sound Out
Gnd Power Supply -
Vcc +5VDC
DO Digital Output



MARLIN P. JONES & ASSOC., INC.

P.O. Box 530400 Lake Park, FL 33403
800-652-6733 FAX 561-844-8764
WWW.MPJA.COM